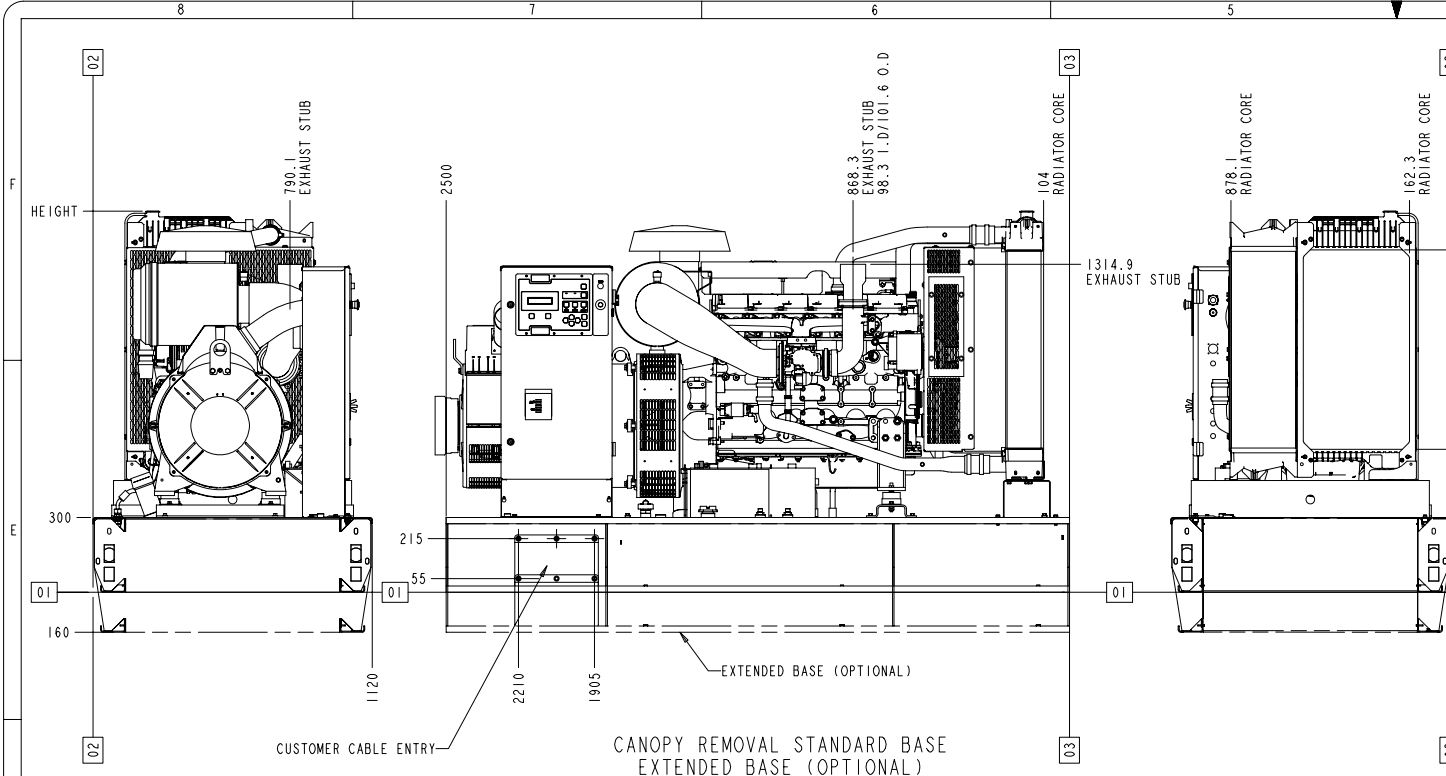


GENSET MODEL	ENGINE MODEL	ALTERNATOR MODEL	WEIGHT				CENTER OF GRAVITY FROM O3			
			WITH LUBE OIL	WITH OIL & WATER	WITH OIL, WATER & FUEL	WITH OIL, WATER & FUEL	OPEN	ENCLOSED		
P165-2	1106C-E66TAG3	LL3014H	1713.7	3778	1735	3825	2030	4477	1380	1275
P165-1	1006TAG2	LL3014H	1654.3	3647	1695	3737	1990	4389	1272	1360
P150-2	1106C-E66TAG2	LL3014F	1658.7	3657	1680	3704	1975	4355	1416	1311
P150-1	1006TAG	LL3014F	1602.4	3533	1640	3616	1935	4267	1370	1370

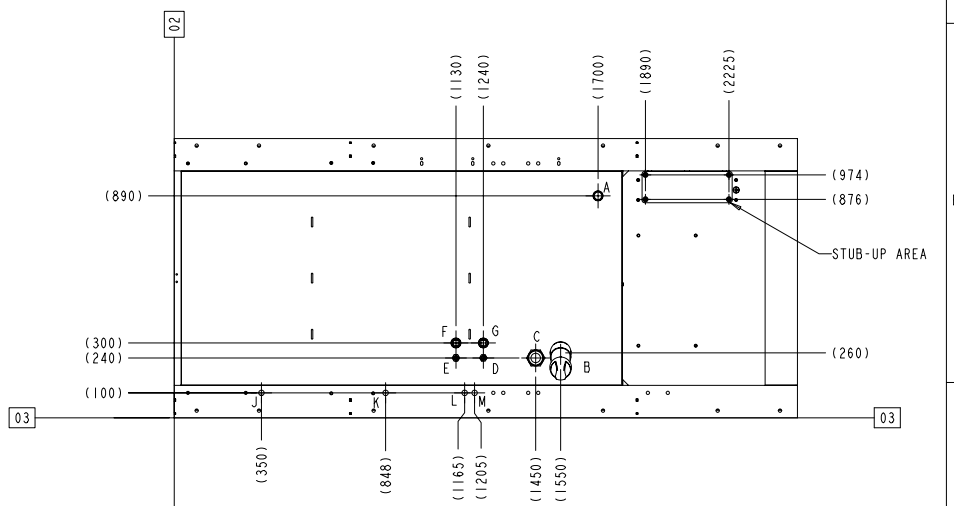
METRIC		336-0860		
SOCKET	DESCRIPTION	01	02	03
A	FUEL LEVEL SWITCH	275	890	1700
B	FUEL FILL	258	260	1550
C	FUEL GAUGE	275	240	1450
D	FUEL SUPPLY	275	240	1240
E	FUEL RETURN	275	240	1130
F	REMOTE SUPPLY	275	300	1130
G	REMOTE RETURN	275	300	1240
H	FUEL DRAIN	50	73	1750
J	COOLANT DRAIN	300	100	350
K	LUBE OIL DRAIN	300	100	848

FOR ENCLOSED SETS ADD 385 KG

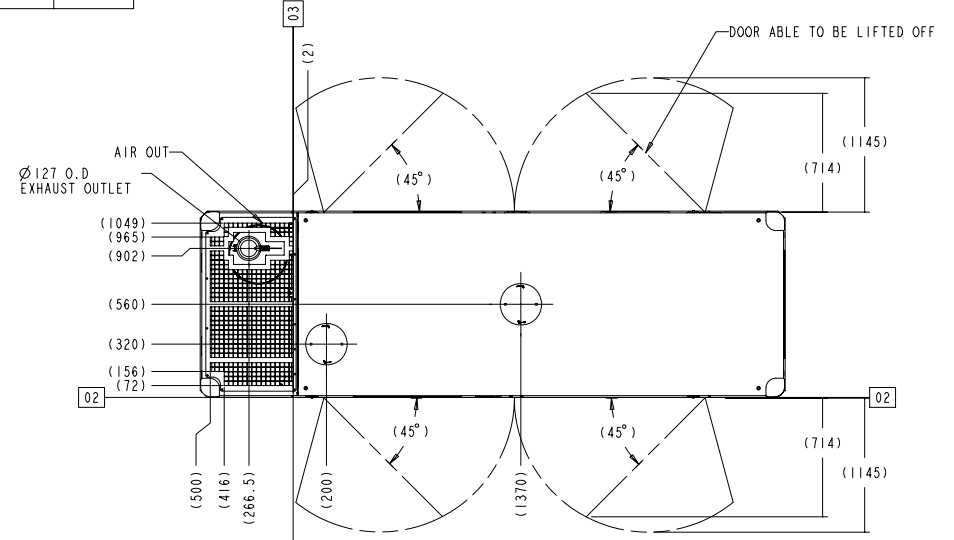
ALL 1/2" BSPP



GENSET MODEL	HEIGHT	RAD FACE
P150-1	1470	83
P165-1	1552	69
P150-2	1528	104
P165-2		



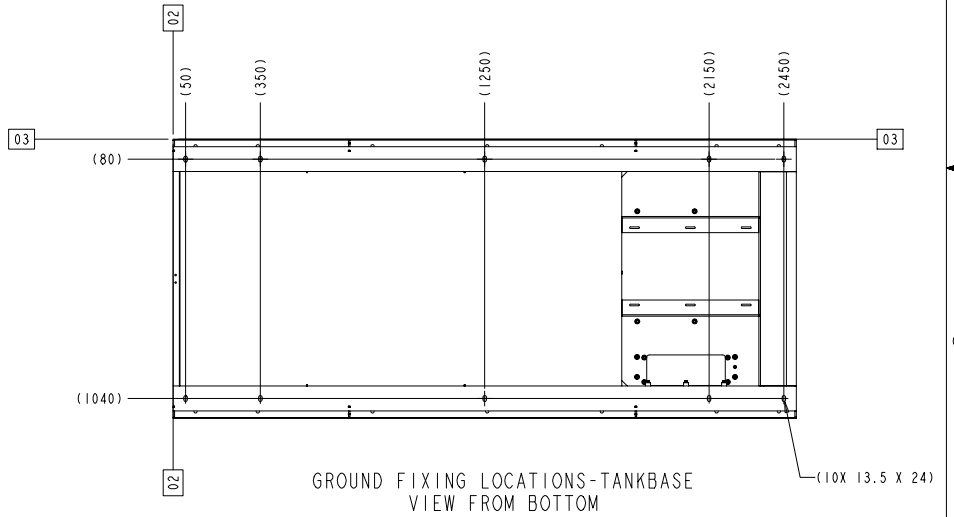
TANKBASE PLAN SHOWING LAYOUT



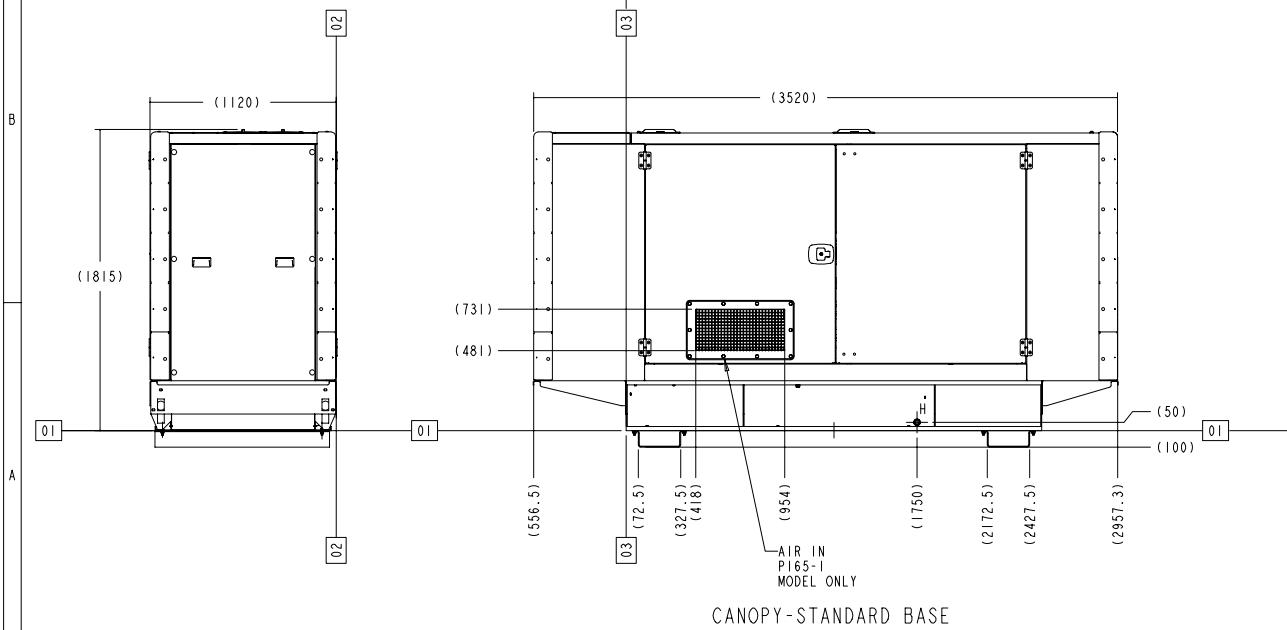
GENSET MODEL	EXHAUST STUB		
	01	02	03
P150-1	1159.9	790.1	868.3
P150-2			
P165-1	1314.9	790.1	868.3
P165-2			

TANK BASE	TANK CAPACITY (LITRES)	
	FILLABLE	USABLE
STANDARD	349	326
EXTENDED (OPTIONAL)	437	418

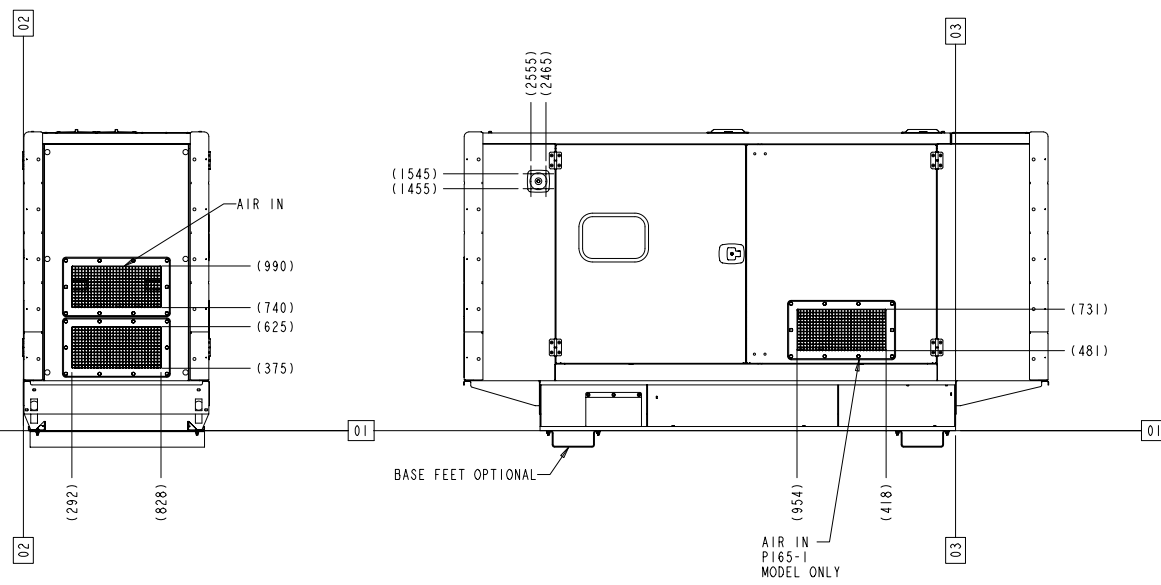
NOTE: DESIGN PRESSURE HEAD 1400 mm



GROUND FIXING LOCATIONS-TANKBASE VIEW FROM BOTTOM



CANOPY-STANDARD BASE



1E2722A	DRAWING
1E0013Y	CONFIDENTIALITY
1E0011	INTRP & TOL

UNLESS OTHERWISE SPECIFIED DIMENSIONS ARE IN MM DIMENSIONS W/O TOL ARE BASIC

PROJ. X OTHER
THIRD ANGLE PROJECTION

SHEET 1 OF 1
DWG CONTROL MF 759

PG WILSON

THE INFORMATION HEREON IS THE PROPERTY OF PG WILSON LTD. AND/OR ITS SUBSIDIARIES. IT IS TO BE USED IN STRICT CONFIDENCE AND NOT TO BE REPRODUCED, COPIED, EITHER WHOLLY OR IN PART, OR TRANSMITTED IN ANY MANNER, WITHOUT THE WRITTEN PERMISSION OF PG WILSON LTD. ANY UNAUTHORIZED USE OF THIS INFORMATION IS PROHIBITED.

GENERAL ARRANGEMENT

336-0860